

UNDER EAVE VENT



UEVD4 WH/BR/BG
(With removable damper)



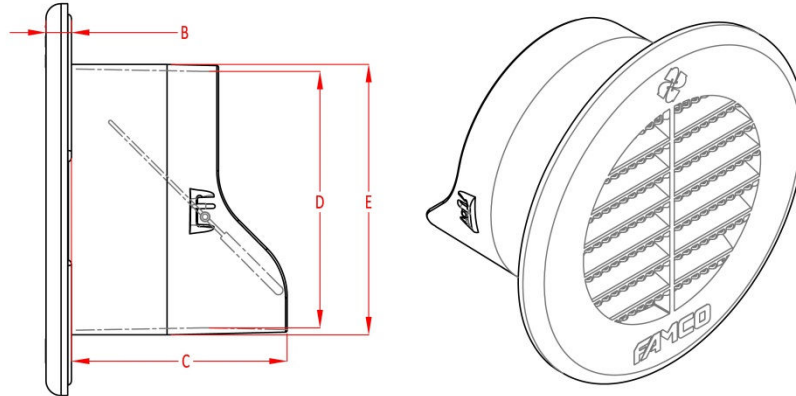
UEV6 WH/BR/BG
(Without damper)

- The body is made of polypropylene for superior weather performance and longevity of use. Provided with multiple mounting holes. Built with a “hose grabber” to hold the flex tube in place, and with the longest stem length available.
- The viewable fascia is made of paintable ABS with UV protection. The fascia is orientable after installation, and with an integrated screening for pest control.
- Available in three colors: white, brown, or beige.

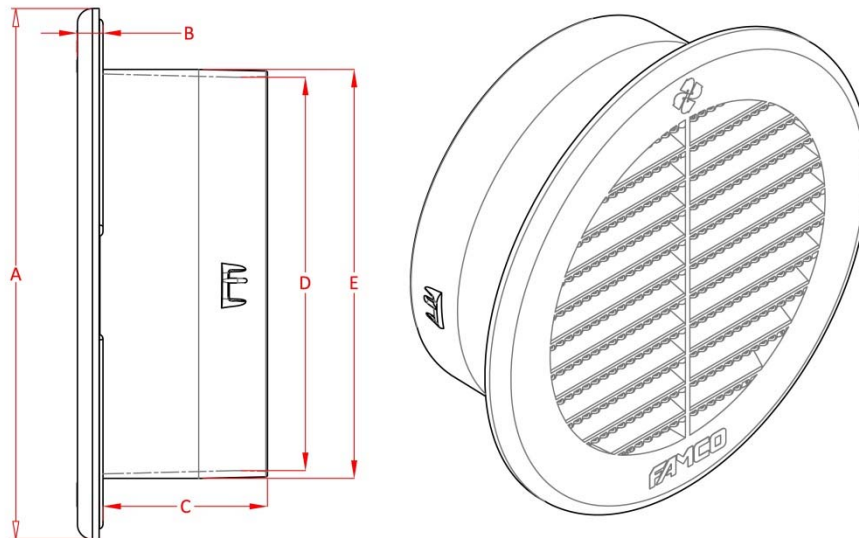
SOFFIT & FOUNDATION VENTS



UNDER EAVE VENT- UEV__



PLASTIC UNDER EAVE VENTS							
ITEM#	SIZE (in)	A	B	C	D	E	FREE AREA (in ²)
UEVD4	4	5 3/4	3/8	3 1/8	3 3/4	4	10.92



PLASTIC UNDER EAVE VENTS							
ITEM#	SIZE (in)	A	B	C	D	E	FREE AREA (in ²)
UEV6	6	7 3/4	3/8	3 1/8	5 3/4	6	25.58



FRESH AIR MANUFACTURING CO.
Technologies in Ventilation

649 N. Ralstin St., Meridian, ID 83642 * (208)884-8931 * (800)-234-1903 * FAX: (208)884-8943