

VELUX TGR/TMR

Technical Product Data Sheet

Description

- TGR/TMR Sun Tunnel with low-profile (TGR) or pitched (TMR) metal flashing that mounts to the roof deck. Rigid aluminum tubing with highly reflective inner surface. Available in 10" or 14" diameter with acrylic or polycarbonate impact dome. TGR also available in 22".

Installation

- Designated top, bottom, or sides for installation in one direction.
- 14 degrees to 60 degrees, use standard installation procedure.

Flashings

- **ZTM** - Engineered flashing for deck mount with tile (over ¾") roofing material for roof pitch from 14-60 degrees. For TMR only.

Interior Accessories

- Decorative Diffusers **ZTB** are available in Micro Fresnel, Triple Wave, Brushed Metal, Prismatic, Bubbles, and Natural Light.
- Solar Night Light **ZTZ 213**
- Daylight Controller **ZTP** – Motorized variable positioning daylight controller.
- Universal Electric Light Kit **ZTL**
- Diffusion Enhancer **ZTZ 209**
- Energy Kit **ZTC**
- Exterior Fire Band **ZZZ 192**
- Vapor Barrier **ZTY**

Type Sign

- Example: TGR 014 000G 20BM05A
- Label located on intermediate ring under dome.



Standard Sizes

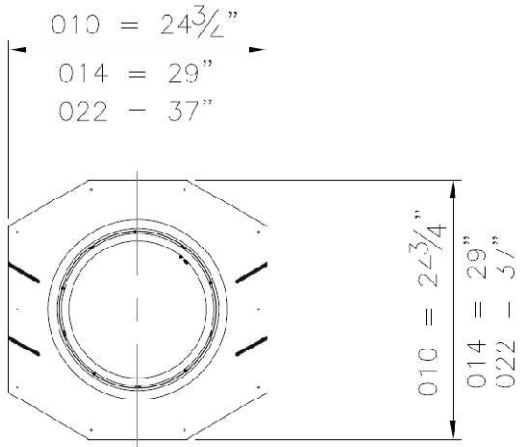
- 10", 14", (22" TGR only)



Warranty

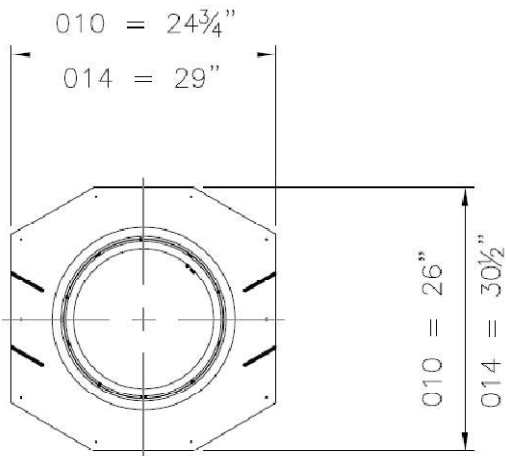
- **Sun Tunnel Skylight** – 10 years from the date of purchase; VELUX warrants that the skylight will be free from defects in material and workmanship.
- **Acrylic Dome** - The yellowness index ("YI") on clear acrylic Sun Tunnel® Skylight domes shall be less than 4.0 for a period of (5) five years from the date of purchase and less than 10.0 for a period of (10) ten years from the date of purchase as measured with a Hunter Lab's spectroradiometer according to ASTM D 1925.
- **Polycarbonate Dome** - The yellowness index ("YI") on clear polycarbonate Sun Tunnel® Skylight domes shall be less than 4.0 for a period of (5) five years from the date of purchase as measured with a Hunter Lab's spectroradiometer according to ASTM D 1925.
- **Reflective tunnel (rigid only)** – 20 years from the date of purchase; The reflection-enhanced material in the Sun Tunnel® Skylight shall be free from defects in material and workmanship and correspond to the agreed materials properties. The material under normal interior environmental conditions will not splinter, yellow, darken, peel-off, blister, crack, or develop any other surface deterioration reducing the reflectivity when used as instructed in the relevant.
- **Accessories and Electrical Components** – 5 years from the date of purchase; VELUX warrants Velux accessories (diffusers, electric control systems, solar powered lights, energy kits and diffusion enhancer) will be free from defects in material and workmanship.

Sizes



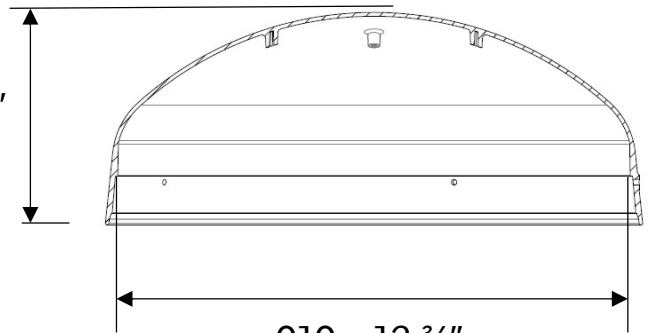
TGR

Size	Max Tunnel Length	Min Tunnel Length
10"	20'	12"
14"	30'	12"
22"	40'	12"



TMR

010 - 7"
 014 - 6 1/8"
 022 - 8 1/2"

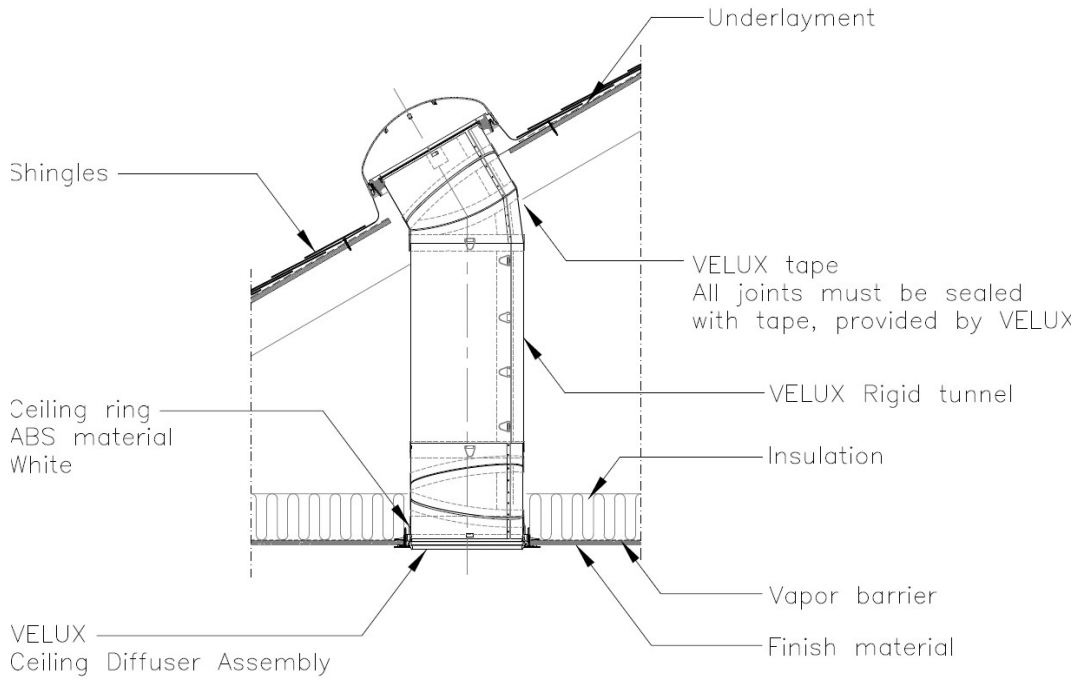


010 - 12 3/4"
 014 - 16 7/8"
 022 - 25"

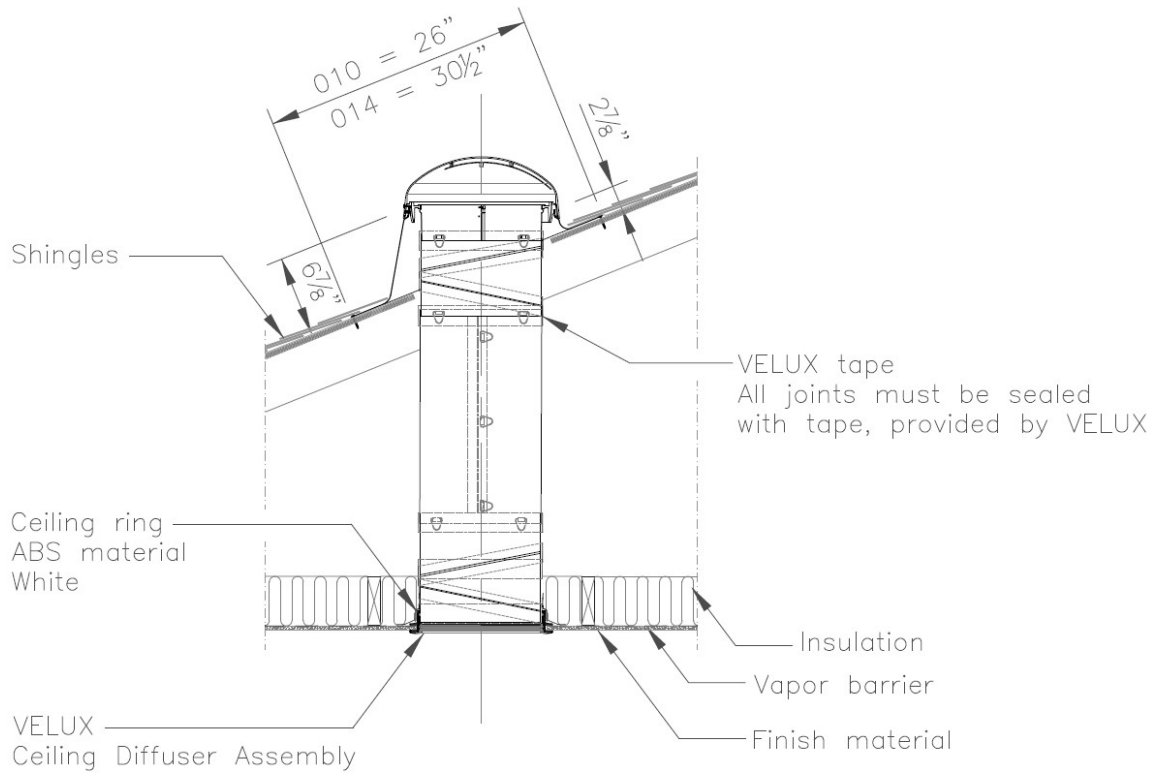
Certification

Glazing	NFRC U-factor	NFRC SHGC	NFRC Vt	Hallmark 426-H-705	Fla Prod Approval	HVHZ
TGR/TMR 10"/14"	0.53	0.46	0.42	✓	✓	
TGR/TMR 10"/14" With Energy Kit	0.37	0.26	0.27	✓	✓	
TGR 22"	0.44	0.28	0.43	✓	✓	
TGR 22" With Energy Kit	0.30	0.25	0.37	✓	✓	

Cross Section



TGR



TMR