

# Snow DEFENDER®

7500 DECO™



Based on the design of the popular Snow Defender® 6500, this color matched, 304 stainless steel model has the more traditional, historic look of a cast snowguard. The decorative cutouts are embossed for increased strength and the proven attachment method using set screws means the Snow Defender® 7500 DECO™ will last the life of your roof.

This strong 304 stainless design and patented non-piercing clamping attachment allows snow retention on most standing seam profiles. It's available in 40 plus colors that match with popular standing seam roof colors. Copper plated also available.



**Copper Plated Also Available**

This is a regular stainless mill finish snow guard that has been copper plated and polished. Stainless and copper work together making this snow guard different than our normal powder coated copper snowguard. Our copper plated snow guard will patina over time, along with your real copper metal roof!

# Snow DEFENDER<sup>®</sup>

7500 DECO<sup>™</sup>

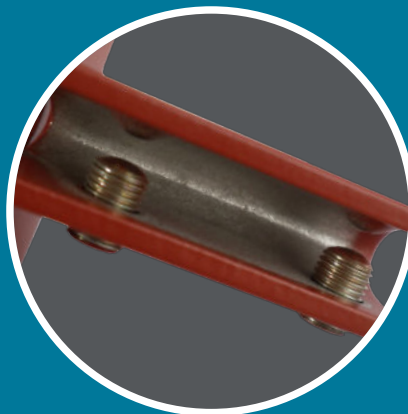


Item #	Description	Pcs/Bx	Lb/Bx
SD75	Snow Defender <sup>®</sup> 7500 DECO <sup>™</sup>	32	30.92
SDCOP75	Snow Defender <sup>®</sup> 7500 DECO <sup>™</sup> Copper Plated	32	31.25

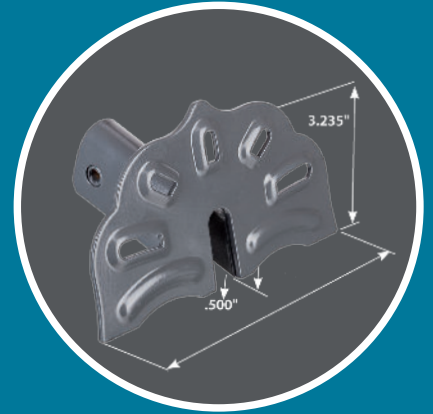
For standing seam roofing: fits standing seams up to 3/8" wide, and most 1" through 1-3/4" seam heights.



Use For Standing Seam Panels



Does Not Penetrate Metal

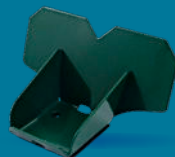


Innovative Design

## Also Available:



Snow DEFENDER<sup>®</sup>  
4500



Snow DEFENDER<sup>®</sup>  
1500



Snow DEFENDER<sup>®</sup>  
6500 DECO<sup>™</sup>



Snow DEFENDER<sup>®</sup>  
85RF DECO<sup>™</sup>