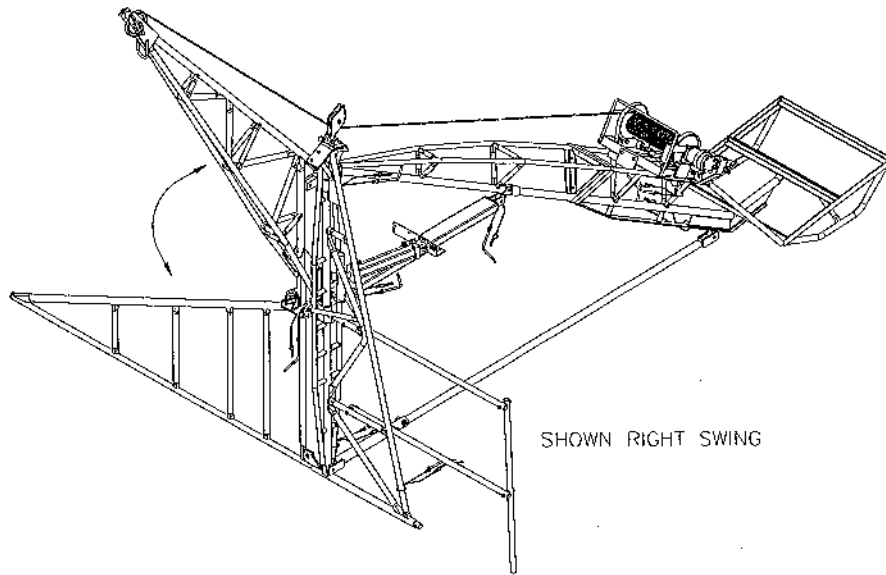


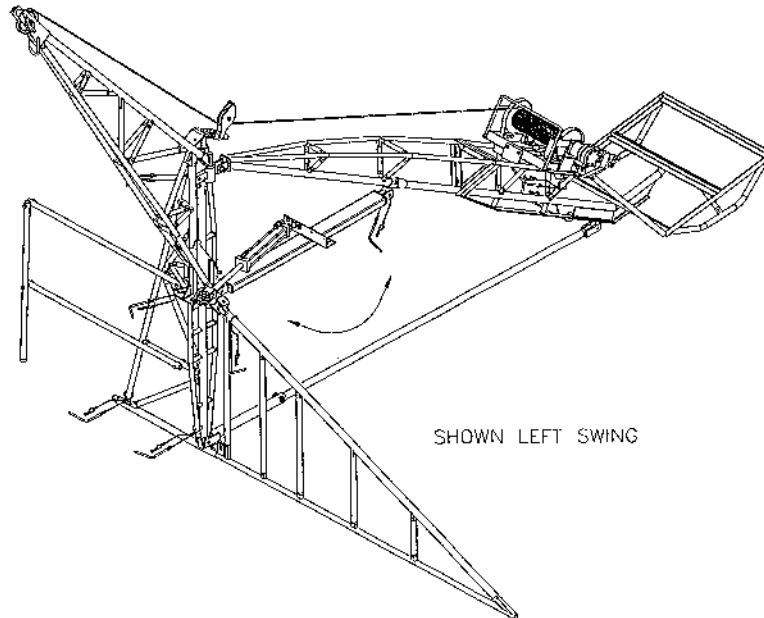
# **RGC**<sup>®</sup>

**REIMANN & GEORGER CORP.**  
**HOISTING - MARINE - CONSTRUCTION**

## **HS2000 HYDRAULIC LEFT OR RIGHT SWING HOIST STANDARDS**



SHOWN RIGHT SWING



SHOWN LEFT SWING

**REIMANN & GEORGER CORPORATION**  
**HOISTING PRODUCTS**

**BUFFALO, NY**  
07/14/14

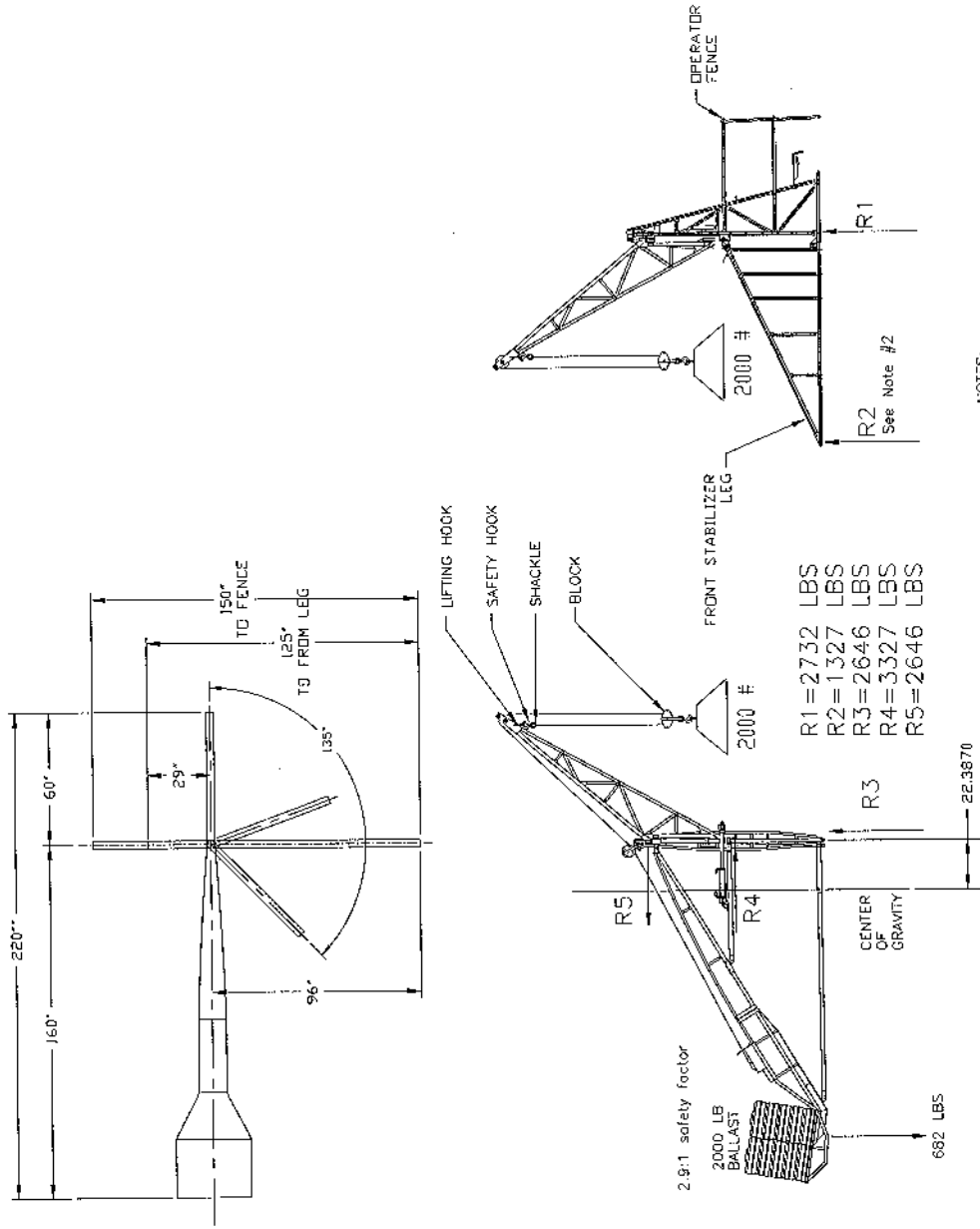


### 3 HS2000 LEG LOADING

#### 3.1 TECHNICAL DATA

#### HS2000 Bi-Dir Hydraulic Left or Right Swing Hoist

The following data apply to the hoist assembly. Detailed specifications for the HydraWinch and the HydraPak are in the separate manuals for these items.



NOTES:  
 1). DATA FROM REPORT DATED 4/16/1986 FROM PAUL GULKOWSKI, Ph.D., P.E.  
 2). REACTION FORCE R2 OCCURS AT ITS LARGEST VALUE WHEN BOOM IS DIRECTLY OVER THE FRONT STABILIZER LEG.