

*installation instructions:*

# SURFACE MOUNT GABLE VENT

## SAFETY INSTRUCTIONS

Make sure to use the correct tools recommended.

Wear safety goggles.

Follow fixture, power tools, and paint manufacturers' instructions and users manuals.

Use common sense and follow good construction practices.

## TOOL & MATERIAL CHECKLIST

- construction adhesive
- caulk
- caulking gun
- finishing nails
- hammer
- paint
- chalk line box & pencil

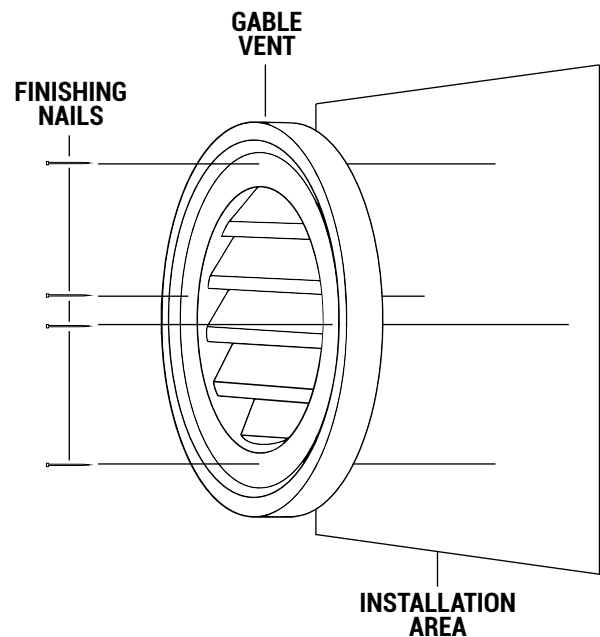
## IMPORTANT INFO

- It is highly recommended that you prime & paint/finish our gable vents with 100% acrylic latex paint before installation.
- Once installed, you can apply any necessary touchup paint/finish.
- Clean installation surface and back of vent of all dirt and dust with a clean cloth or sponge.
- Make sure that the surface and the back of the vent are completely dry before attempting installation.
- Measure and mark the location where the vent is going to be installed.

## INSTALL INSTRUCTIONS:

1. Lay the vent face down on a soft surface that will not scratch/dent the medallion detail.
2. Apply a 1/2" bead of adhesive caulk all the way around the back edge of the vent.
3. Gently press the vent up against the exterior surface.
4. When pressing the vent up against the wall, some adhesive caulk will seep out. Smooth excess caulk around the vent with a finger or the putty knife and apply extra caulk that is needed to fill in any gaps.
5. Wipe off any excess adhesive caulk with a sponge or damp rag.
6. Noncorrosive fasteners can be used for additional support.
7. Fill any nail holes with caulk and smooth the surface with a finger or the putty knife. If any excess caulk is left, let it dry, and then lightly sand it down with extra fine sand paper.
8. Touch up the vent with any paint that is needed.

## EXAMPLE DIAGRAM:



We Can Help. Call (866) 607-0453



**EKENA**  
MILLWORK

Industry leading manufacturer of urethane, PVC, wood, rustic, and metal millwork

[www.ekenamillwork.com](http://www.ekenamillwork.com)