

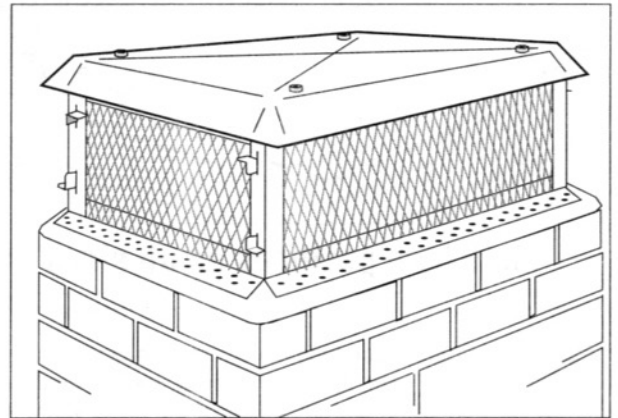
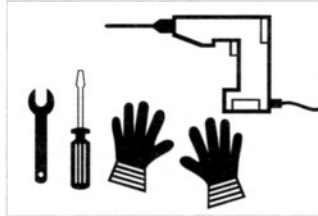
Big Top Assembly Instructions

IMPORTANT

Read all instructions and CAUTION on both sides of this sheet carefully before beginning. Failure to do so may result in improper installation and/or hazardous situations.

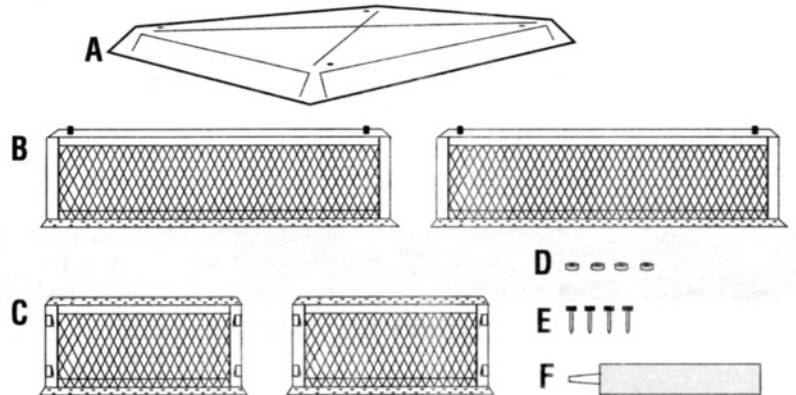
TOOLS REQUIRED

- Flat head Screwdriver
- 5/16" wrench
- Leather gloves
- Drill & 3/16" masonry bit

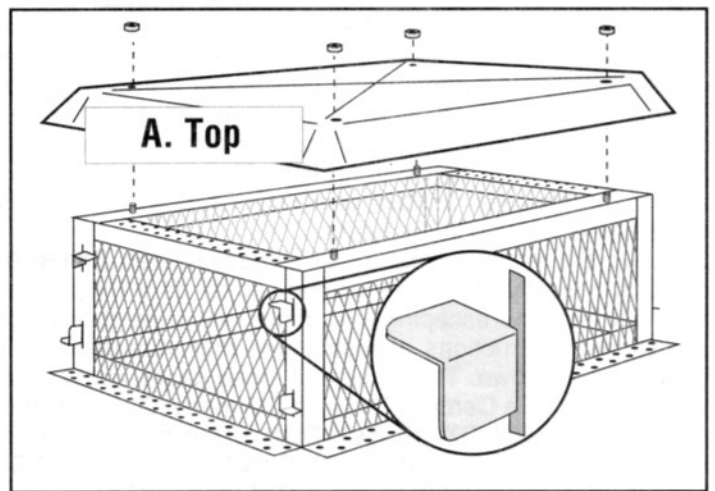
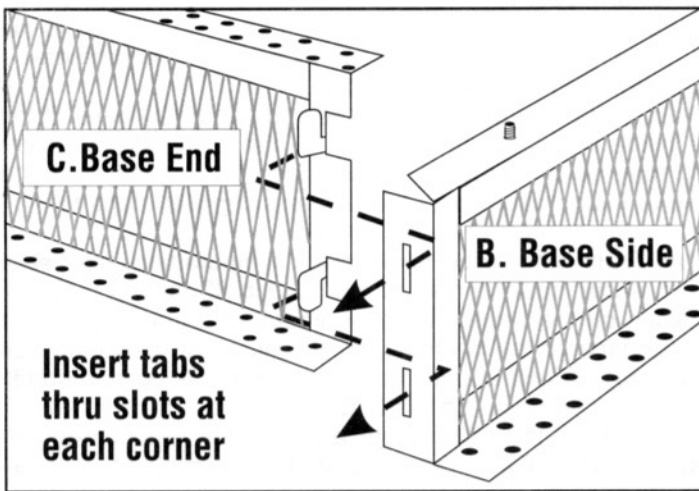


Illustrated Parts List

- A. 1—Chimney cover top
- B. 2—Base side pieces
- C. 2—Base end pieces
- D. 4—5/16" nuts
- E. 4—Masonry screws
- F. 1—Tube of adhesive



Assembly Instructions

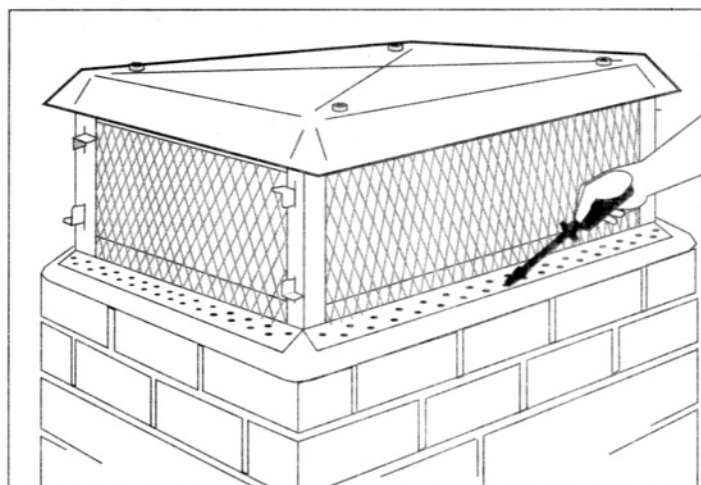
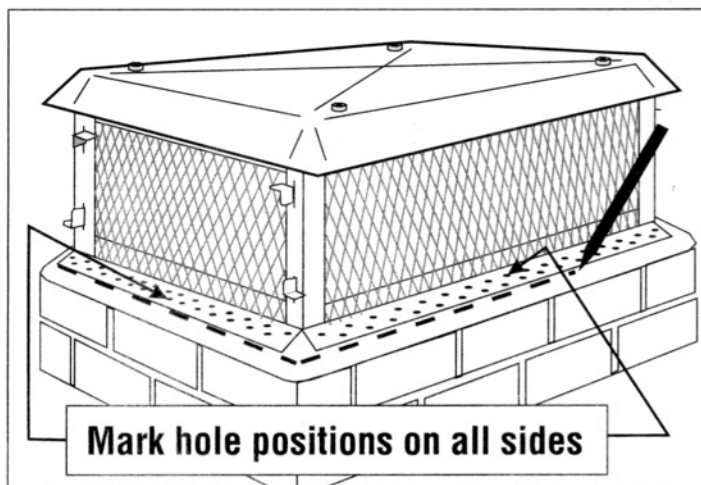


1. Place a Base Side (B) on a flat working surface with the solid flange and welded bolts facing upward and the perforated flange facing downward and to the outside. Place a Base End (C) perpendicular to the Base Side with the top flange facing inward and the bottom flange facing outward. Insert the two (2) tabs on the Base End through the slots on the Base Side.

2. Bend the inserted tabs (as illustrated) by hand. Bend tabs in opposing directions on each corner for strongest construction. Complete the base assembly by completing this procedure on each corner. Place Top (A) over the assembled base and secure the Top to the base with the four 5/16" Nuts (D).

(see reverse side for installation instructions)

Installation Instructions



1. Position the fully assembled cover onto the crown of the chimney. Center cover over flue and trace a line around the outer edge of the perforated bottom flange of the base. Mark the hole positions in the base for the four Masonry Screws (E), (more may be used on larger crowns). Note, use the best hole pattern for the job, for example, one hole on each side or two on opposing sides. Remove the cover and drill holes in marked positions with a 3/16" drill bit to 1½" into the crown. Brush loose material from crown and run a bead of Adhesive (F) approximately ½" inside the trace line on all four sides.

2. Carefully re-position the chimney cover back onto the crown aligning the trace line with the outside of the base assembly and aligning the drilled hole positions. Apply downward pressure to the cover once proper alignment has been achieved to seat the base into the adhesive. Insert the Masonry Screws (E) into the drilled holes and drive them firmly into the crown to set the cover in position. (the Masonry Screws are designed to cut threads into masonry material). This completes the installation of the HY-C "BIGTOP" chimney cover.

CAUTION

SAFETY RECOMMENDATION ON GOOD VENTING PRACTICE. READ CAREFULLY.

1. Before the chimney cover is installed, your chimney should be inspected to be sure your chimney has been constructed properly. It needs to be the proper size and height for what you are venting to provide an adequate draft. This inspection will assure that the flue is not in need of repair and is clear of any obstructions. Bird, squirrel, or animal nests, tree limbs, leaves, fallen brick or tile lining all could cause hazardous conditions. The vent pipe leading from the furnace to the chimney should also be thoroughly checked for deterioration, blockage and/or soot accumulation. We recommend a Certified Chimney Sweep, Gas Company, or Furnace Company, to perform this safety inspection.
2. When wood burning units are being vented, the chimney should be visually checked as often as every few days. If the cover or screen appears to be sooty or dirty, it follows that the inside of the flue is also dirty. A buildup inside the chimney could cause a **CHIMNEY FIRE**. The cause of this buildup may be a slow draft or the type of wood that is being burned. In this case, contact your local Certified Chimney Sweep to inspect and clean the flue and suggest steps to minimize further buildup in the future.
3. If you are venting a gas or oil furnace/heater, **EXTREME CAUTION** should be taken when temperatures fall below freezing. Visually check the chimney cover daily for possible frost, snow, freezing rain, or ice buildup. If drafting properly, the heat from the escaping flue gases will prevent any frost buildup on the cover. However, improper burner settings or conditions, obstructions or restrictions that may develop in the furnace or the chimney, could cause the escaping flue gases to cool down. The cooling of these gases could cause a buildup of frost and ice on the cover. If this buildup condition occurs, call a Certified Furnace Company, Gas Company, or a Chimney Sweep **AT ONCE**.
4. **CARBON MONOXIDE BUILDUP** in the house, due to a blockage in the chimney or an improper functioning furnace/heater, **MAY CAUSE DROWSINESS, HEADACHES, AND/OR NAUSEA**, in it's early stages, warning of it's presence. **CONTINUED EXPOSURE COULD BE FATAL**, if proper chimney venting is not established and maintained.