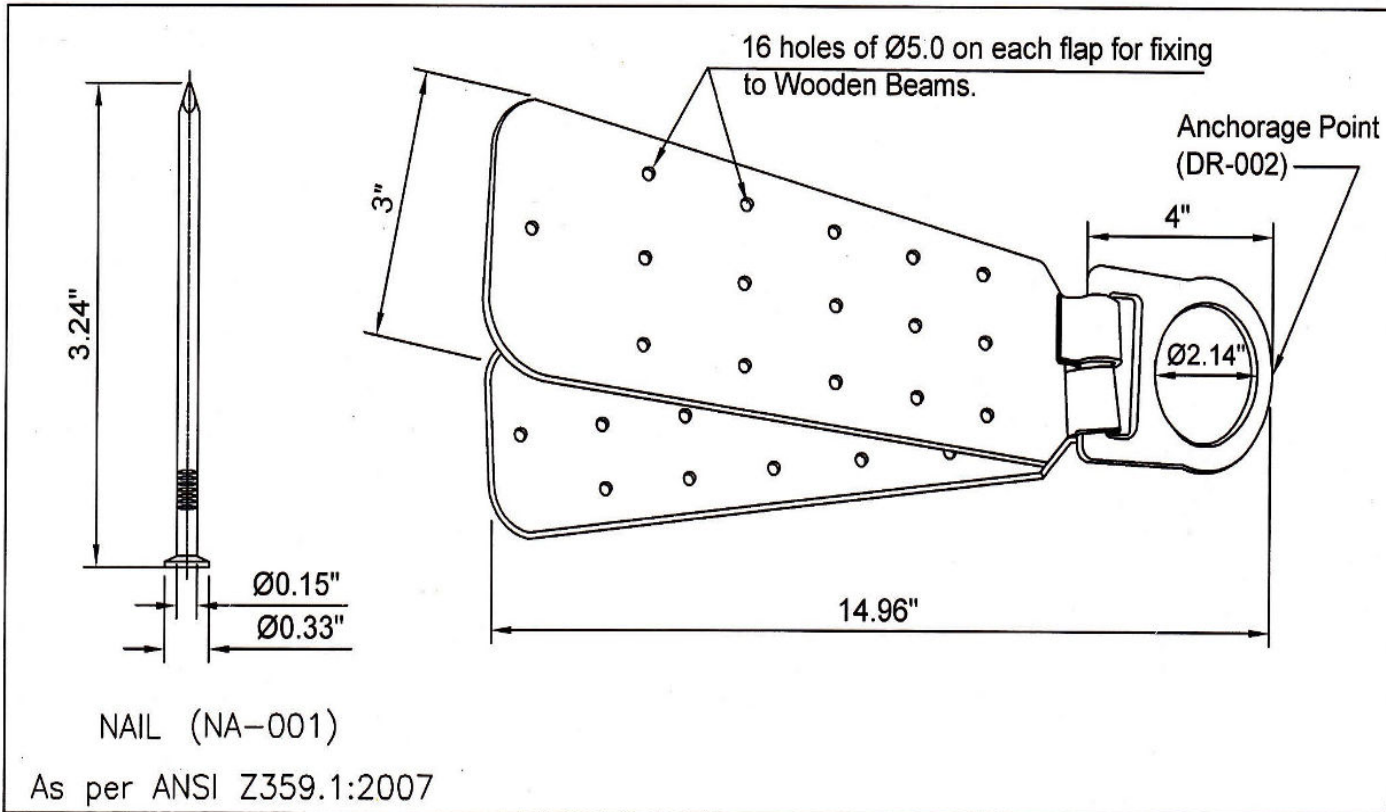


# HINGED STEEL ROOF ANCHOR



**DESIGN:**

- An Ideal Anchorage Device to be Fixed on Wooden Beams Used in Roofing.
- Consists of Two Steel Flaps Each Having 16 Holes which can be Fitted on the Two Sides of a Wooden Beam by Means of Nails Inserted in the Holes.
- The D-Ring can be Safely Used as an Anchor Point.

**MATERIAL:**

- High Strength Steel Alloy

**FINISH:**

- Powder Coated or Zinc Plated

**BREAKING STRENGTH:**

- 5000 lbs. (Minimum)

**WEIGHT:**

- 2.39 lbs. ± 0.02 lbs.

**APPLICABLE STANDARDS**

- Meets or Exceeds ANSI Z359.1-2007.